

# GPS TRACKER

## User Manual



**4G**

Please read the installation instruction manual carefully before installation and use.

### 1 Product Parameters & Functions

#### 1.1 Product Parameters

Item	Parameter
Supported location method	GPS/BDS
Location Accuracy	≤5m
Light Alarm	Yes
Device Dimension	138*72*22mm
Working Temperature	-20°C to 70°C

#### 1.2 Accessories List

Item	Unit	Qty
Device	Pcs	1
Manual	Pcs	1

### 2 Product Features

**Note** SIM Card needs SMS, data service and phone call functions.



Precise Positioning



Light Alarm



User Define Geo-fence



Super Long Standby



Trace Playback



Multiple Alert Protections

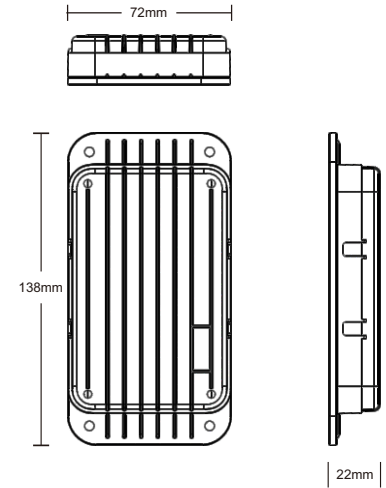


Waterproof Protection

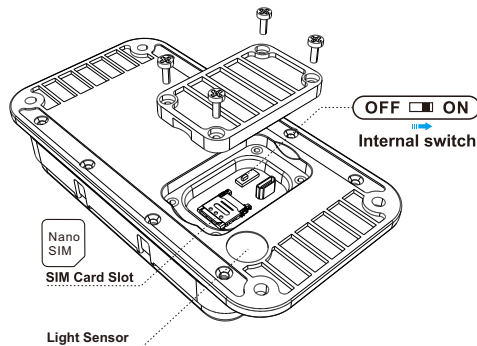


4G Network

### 3 Product Size



### 4 Sim Installation



### 5 LED Connection

LED type	LED status	Meaning
Blue Light	Steady on	The device is connected to GPS
	Slow flash	GPS initialized, searching for GPS signal
	Off	Broken or sleeping
Green Light	Steady on	The device is online
	Slow flash	Searching for network signal
	Off	Broken or sleeping
Red Light	Slow flash	The device is working properly
	fast flash	Equipment works abnormally
	Off	Broken or sleeping

### 6 Product Installation

If you do not know how to install, it is recommended that you can seek the assistance of an experienced installer.

#### Installation Precautions

- The device should be installed in a waterproof and dry place.
- Please insert SIM card before connecting power and switching ON.
- Make sure lights is up and there is no metal blocking.
- Secure with a cable tie or sponge double-sided tape.

### 7 Trouble Shooting

Problem	Description	Solution
Failed to connect the intbet	SIM card not installed	Check the SIM card
	SIM card not installed properly	Install again
	No LTE network	Move the device to the LTE network area
Location failed	Weak LTE network	Move the device to strong LTE network area
	SIM card has no LTE functions	Contact SIM card supplier to activate the LTE function
No GPS Loction	Always reply "failed to get location"	Contact the supplier
	Some poor signal areas like basement, tunnels are not able to acquire GPS signals	Move the device to open sky areas

### 8 Access to Platform

- Platform([www.iopgps.com](http://www.iopgps.com))
- Android and IOS APP(Scan the qr code to download app)



There are two methods to login in the platform or app.

- Login by IMEI number(the 15 digits in the back of the device), password: the last 6 digits of imei number.

- Contact the supplier to create an account for you.

**NOTE** A SIM card is required for SMS, data services and calling functions(Calling needs phone card).